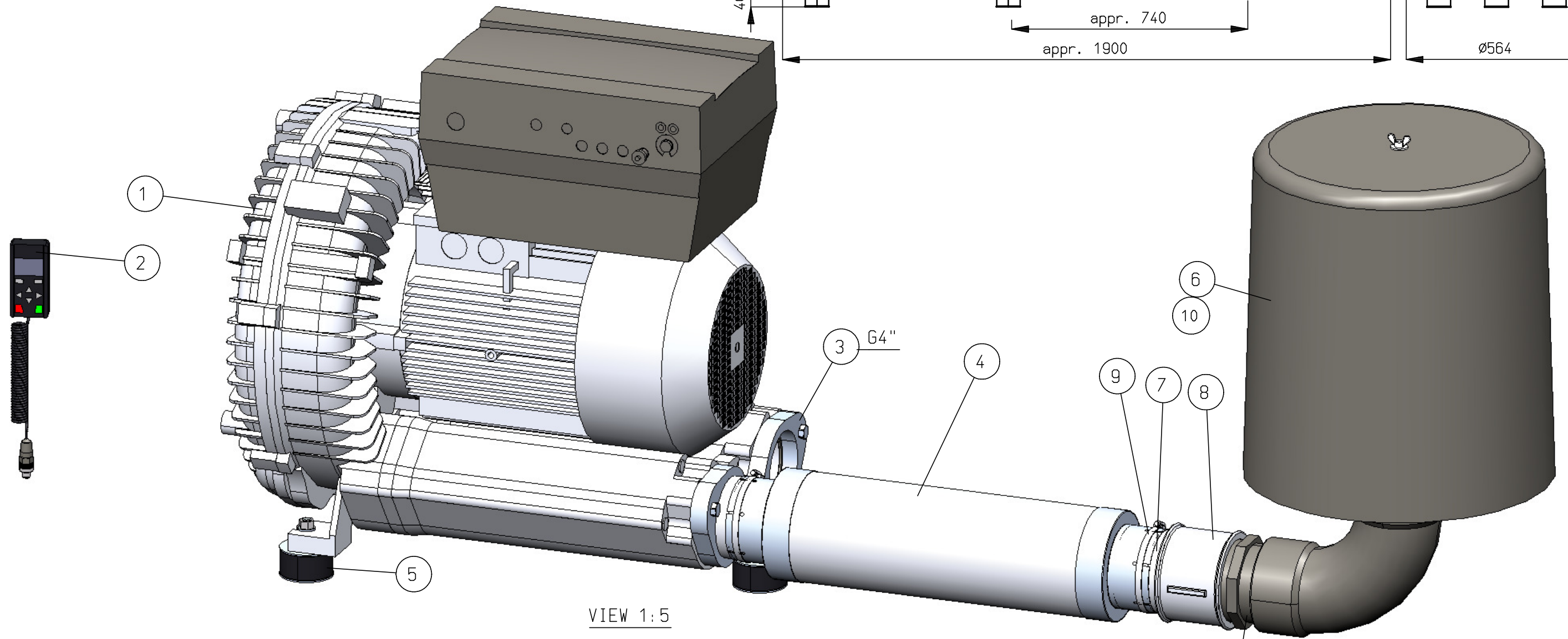
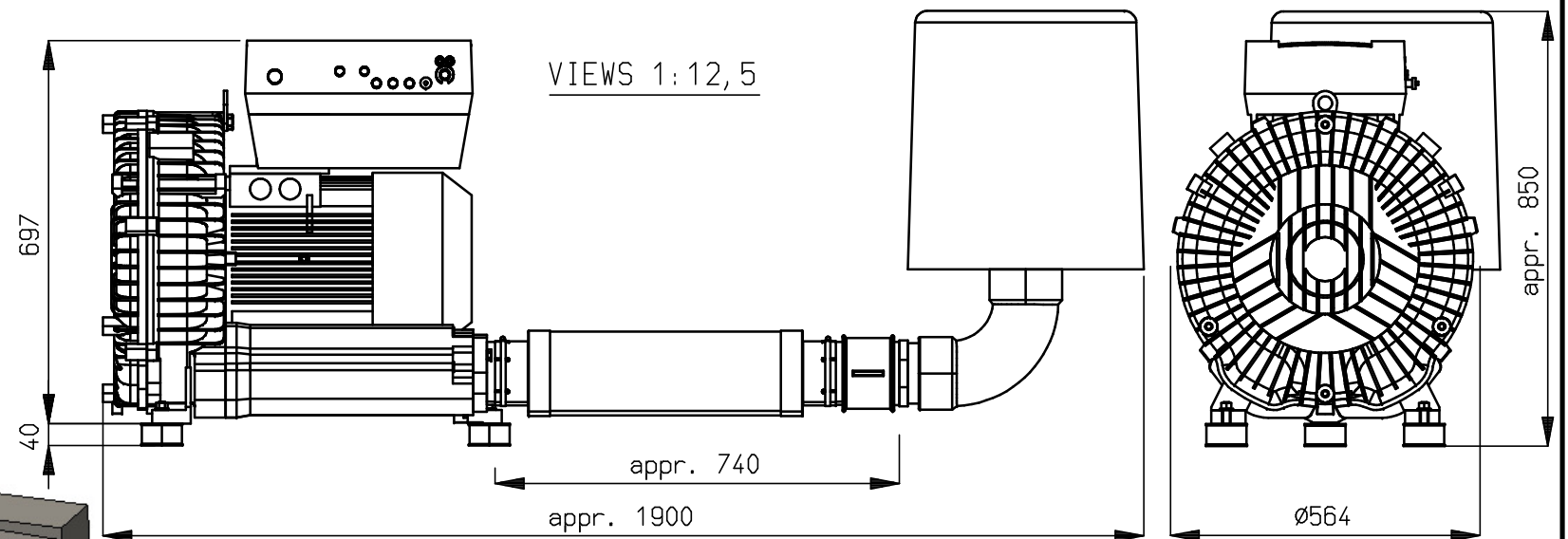


Parts list

No.	Qa.	Part No.	Description	Dwg. No.
1	1	6750290054	Blower 22,6kW, IE2, 400V, built on FC	
2	1	6750299102	Control-unit MMI handheld	
3	1	6751990000	Threaded flange 4''	
4	1	6799225212	Inline silencer	
5	1	6799225219	Anti vibration feet (set)	
6	1	6799143490	Suction filter	
7	1	6799225208	Nipple 4''	
8	1	9290060156	Socket female 4''	-
9	1	9146070250	Hose clamp 104-138mm	
10	1	6799143545	Filter element	



NOTE: Sound pressure level 72 dB(A) at 50Hz
 Sound pressure level 77 dB(A) at 60Hz
 Sound pressure level 79 dB(A) at 70Hz
 when using inlet silencer (3 dB(A))
 measured at a distance of 1m, tolerance ± 3 dB(A)
 Weight Blower: appr. 250 kg

Support filter
 when using silencer

Roughness acc. to ISO 1302	Dimensions tolerated acc. to ISO 129	Tolerances of form and position acc. to ISO 1101	Dimensions in mm.	-	-	-	-	-	-			
SIMCO ION An ITW Company www.simco-ion.nl Tel: +31 (0)573 288333				(XX) Control dim.		Rev. Description				Chk.	Date	
						Range (mm)	0,5 - 3	>3 - 6	>6 - 30	>30 - 120	>120 - 315	>315 - 1000
				middle	±0,1	±0,1	±0,2	±0,3	±0,5	±0,8	±1,2	±2
				rough	±0,15	±0,2	±0,5	±0,8	±1,2	±2	±3	±4
Name: Blower configuration 1930 +Suct.filter +Int. FC								Drawn: BSG		Part no.: 1484193110		
CAD GENERATED NOT AUTOMATICALLY UPDATED		Date: 3-6-2014		M: 15		A3		Check:		Dwg. no.: 14841931		