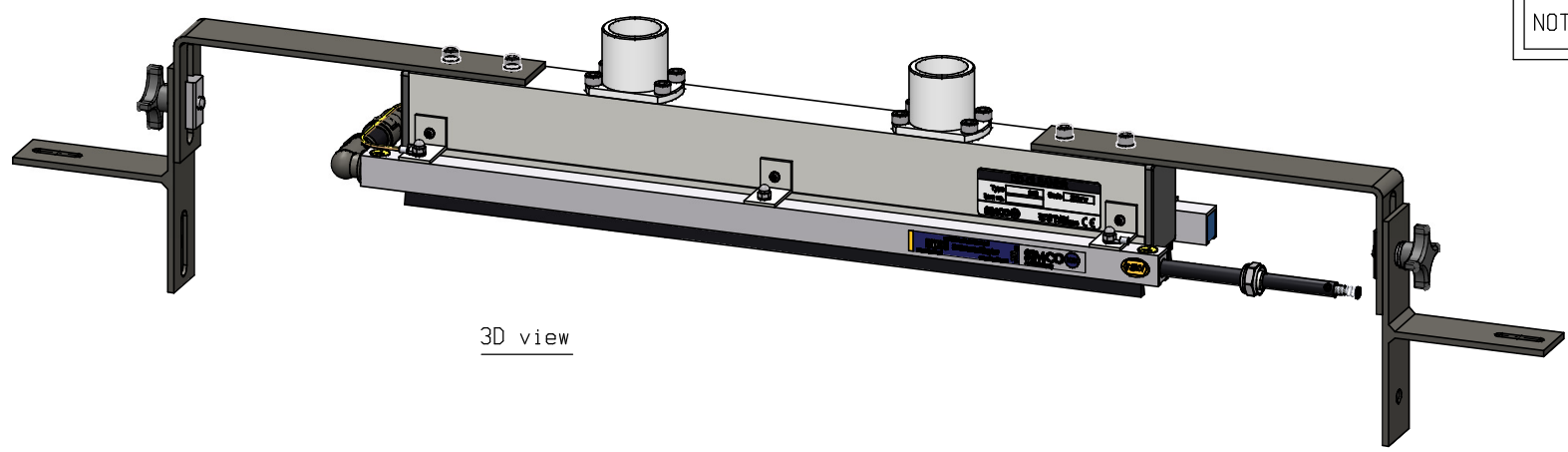


NOTE: EFFECTIVE LENGTH BY STEPS OF 10 MM



3D view

EL	N	CC
100- 440	1	-
450- 890	2	EL : 2
900-1340	3	EL : 3
1350-1790	4	EL : 4
1800-2240	5	EL : 5
2250-2540	6	EL : 6

EL = Effective length
 N = Number of hose connections
 CC = Center to Center