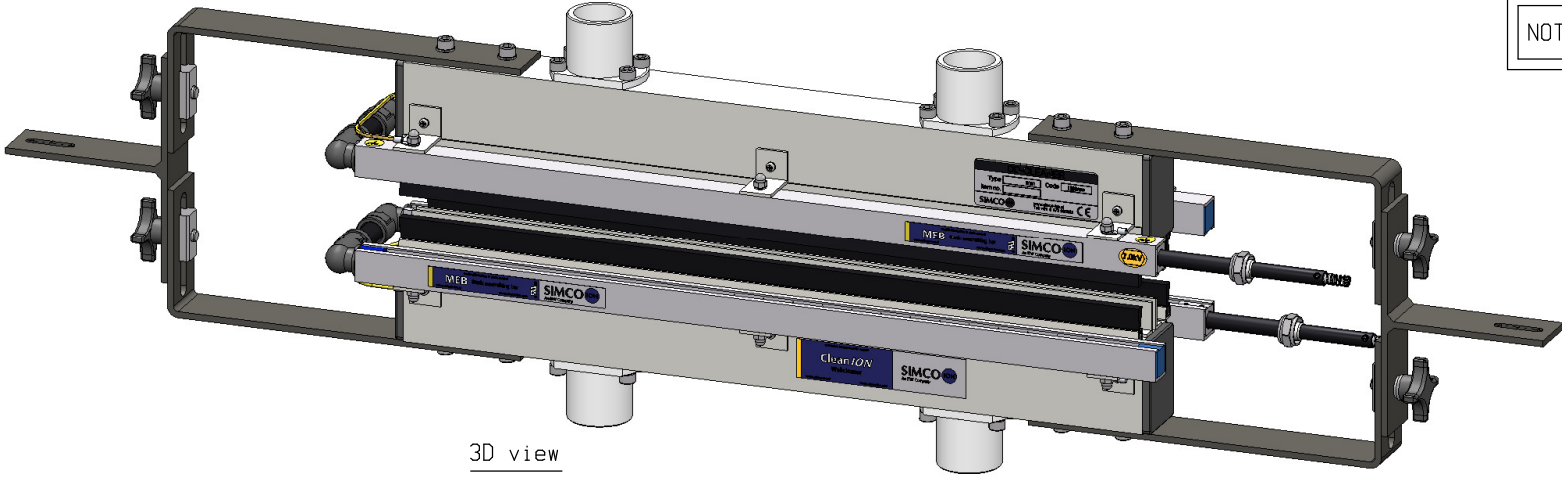


NOTE: EFFECTIVE LENGTH BY STEPS OF 10 MM

EL	N	CC
100- 440	2x 1	-
450- 890	2x 2	EL : 2
900-1340	2x 3	EL : 3
1350-1790	2x 4	EL : 4
1800-2240	2x 5	EL : 5
2250-2540	2x 6	EL : 6

EL = Effective length
 N = Number of hose connections
 CC = Center to Center



3D view