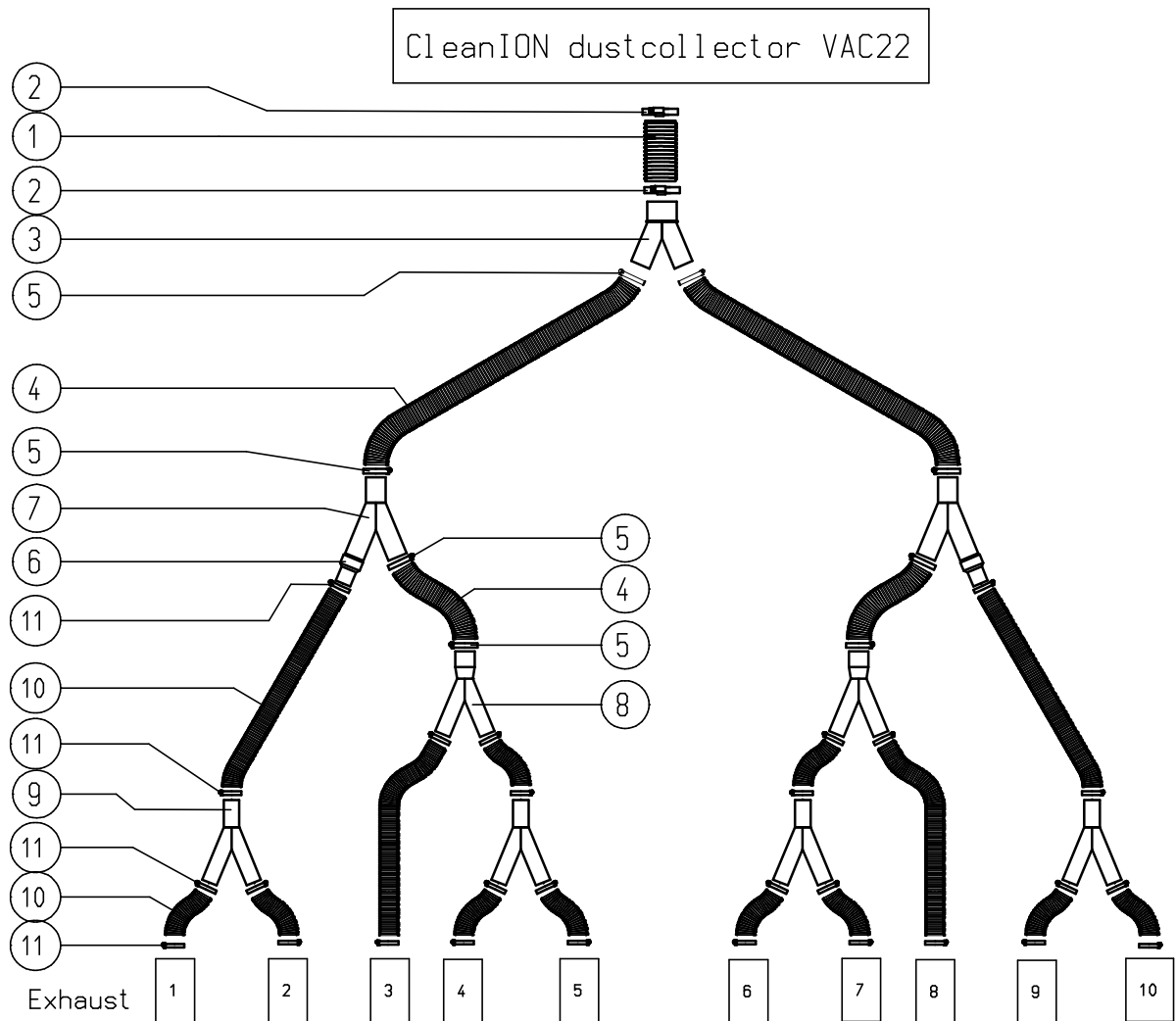




# Parts list

IT	QTY	Part no.	Description	DWG.
1	2 m	6703471075	Hose $\varnothing$ 75 mm	
2	2	9146070200	Clamp, hose 68-85 mm	
3	1	7499604002	Distributor $\varnothing$ 75->2x $\varnothing$ 50	14524002
4	3 m	6703471038	Hose $\varnothing$ 50 mm	90994050
5	8	9146070160	Clamp, hose 50-70 mm	
6	2	7499650150	Reducer, 50-40	14994510
7	2	7499600514	Y-coupling 50-50-50 mm	14994514
8	2	7499600512	Y-coupling 50-40-40 mm	14994512
9	4	7499600510	Y-coupling 40-40-40 mm	14994510
10	6 m	6703470040	Hose $\varnothing$ 40 mm	90994040
11	28	9146072638	Clamp, hose 38-50 mm	



Roughness acc. to ISO 1302	Dimensions tolerated acc. to ISO 129	Tolerances of form and position acc. to ISO 1101	Dimensions in mm.	-	-	-	-	-	-			
 An ITW Company www.simco-ion.nl Tel: +31 (0)573 288333				(XX) Control dim. Copyright © SIMCO (Nederland) BV		Rev. Description Range [mm]			Chk. Date			
				>3 - 3	>6 - 6	>30 - 30	>30 - 120	>120 - 315	>315 - 1000	>1000 - 2000	>2000 - 4000	
				middle	±0,1	±0,1	±0,2	±0,3	±0,5	±0,8	±1,2	±2
				rough	±0,15	±0,2	±0,5	±0,8	±1,2	±2	±4	
Name: Hose connection set DD-10 VAC22						Drawn: BSG		Part no.: 1452100001				
CAD GENERATED NOT AUTOMATICALLY UPDATED		Date: 2-11-2011		M: -/- A4		 Check:		Dwg. no.: 14521025				