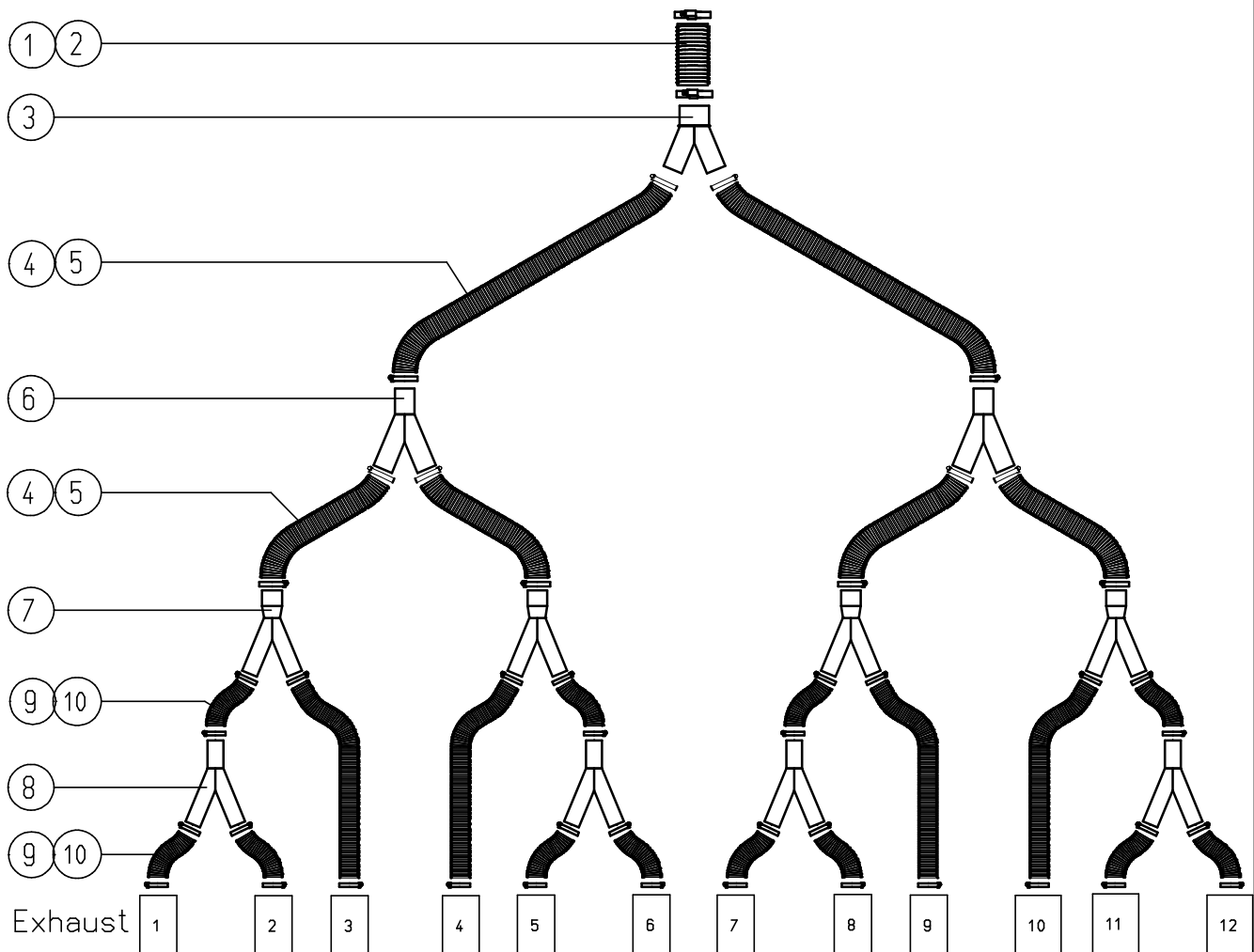




Parts list

IT	QTY	Part no.	Description	DWG.
1	2 m	6703471075	Hose \varnothing 75 mm	
2	2	9146070200	Clamp, hose 68-85 mm	
3	1	7499604002	Distributor \varnothing 75->2x \varnothing 50	14524002
4	4 m	6703471038	Hose \varnothing 50 mm	90994050
5	8	9146070160	Clamp, hose 50-70 mm	
6	2	7499600514	Y-coupling 50-50-50 mm	14994514
7	4	7499600512	Y-coupling 50-40-40 mm	14994512
8	4	7499600510	Y-coupling 40-40-40 mm	14994510
9	8 m	6703470040	Hose \varnothing 40 mm	90994040
10	32	9146072638	Clamp, hose 38-50 mm	

CleanION dustcollector VAC22



Roughness acc. to ISO 1302	Dimensions tolerated acc. to ISO 129	Tolerances of form and position acc. to ISO 1101	Dimensions in mm.	-	-	-	-	-	-	-	-
 An ITW Company www.simco-ion.nl Tel: +31 (0)573 288333				(XX) Control dim. Copyright © SIMCO (Nederland) BV		Rev. Description Range [mm] 0,5 - 3 >3 - 6 >6 - 30 >30 - 120 >120 - 315 >315 - 1000 >1000 - 2000 >2000 - 4000 middle ±0,1 ±0,1 ±0,2 ±0,3 ±0,5 ±0,8 ±1,2 ±2 rough ±0,15 ±0,2 ±0,5 ±0,8 ±1,2 ±2 ±3 ±4				Chk.	Date
Name: Hose connection set DD-12 VAC22						Drawn: BSG		Part no.: 1452120001			
CAD GENERATED NOT AUTOMATICALLY UPDATED		Date: 02-11-2011	M: -/-	A4			Check:	Dwg. no.: 14521026			