

HV-cable with PA conduit

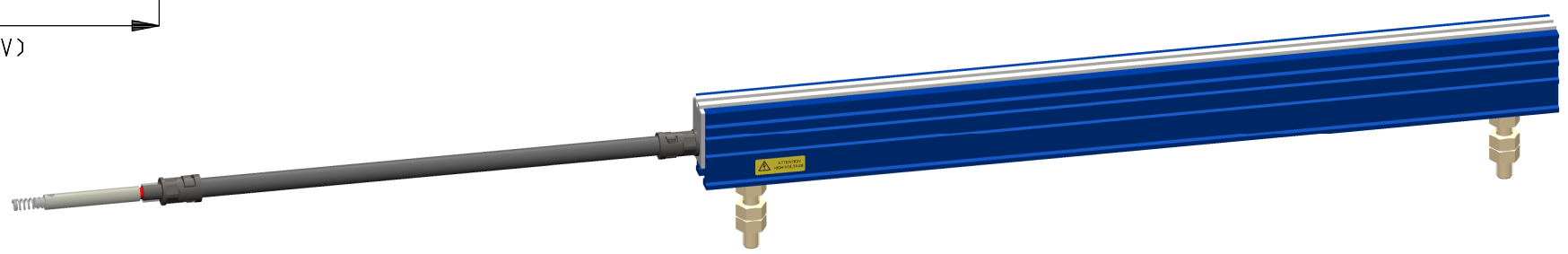
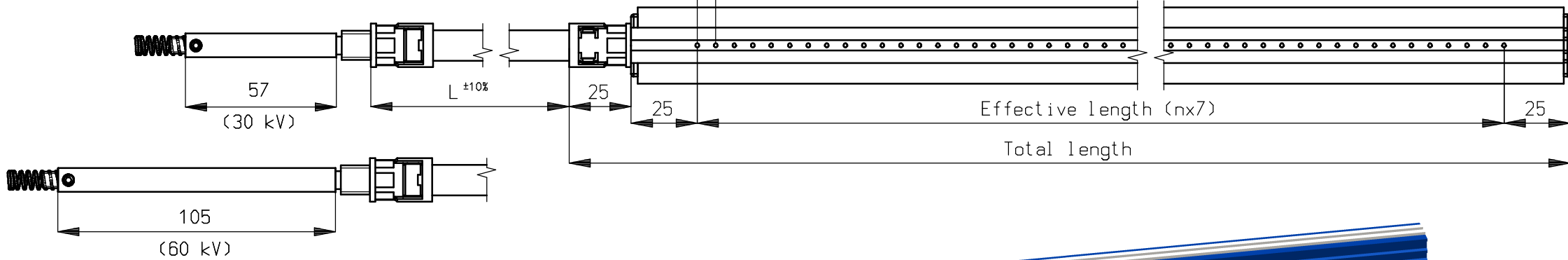
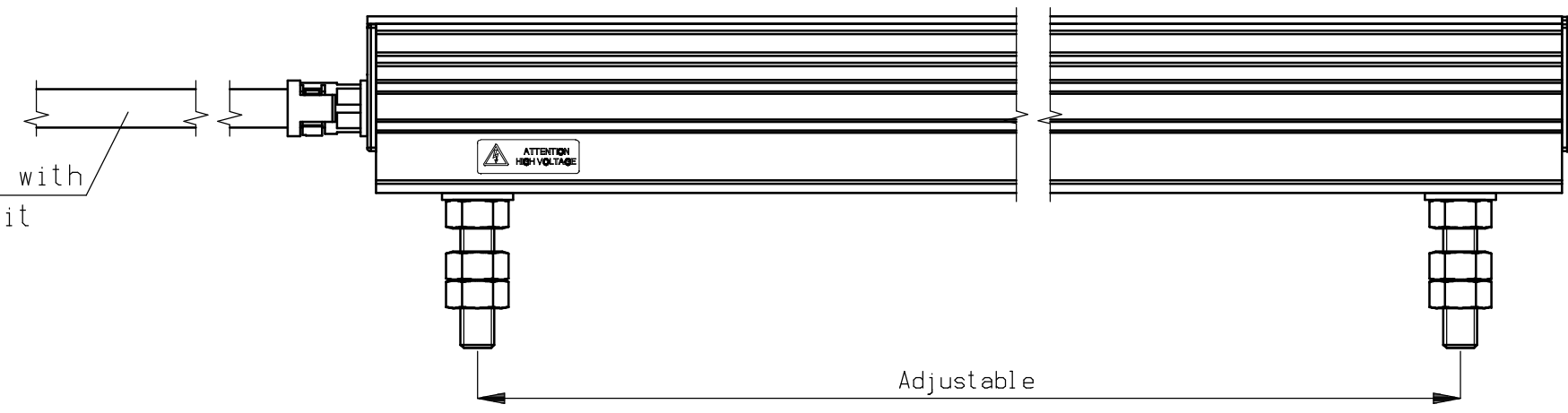
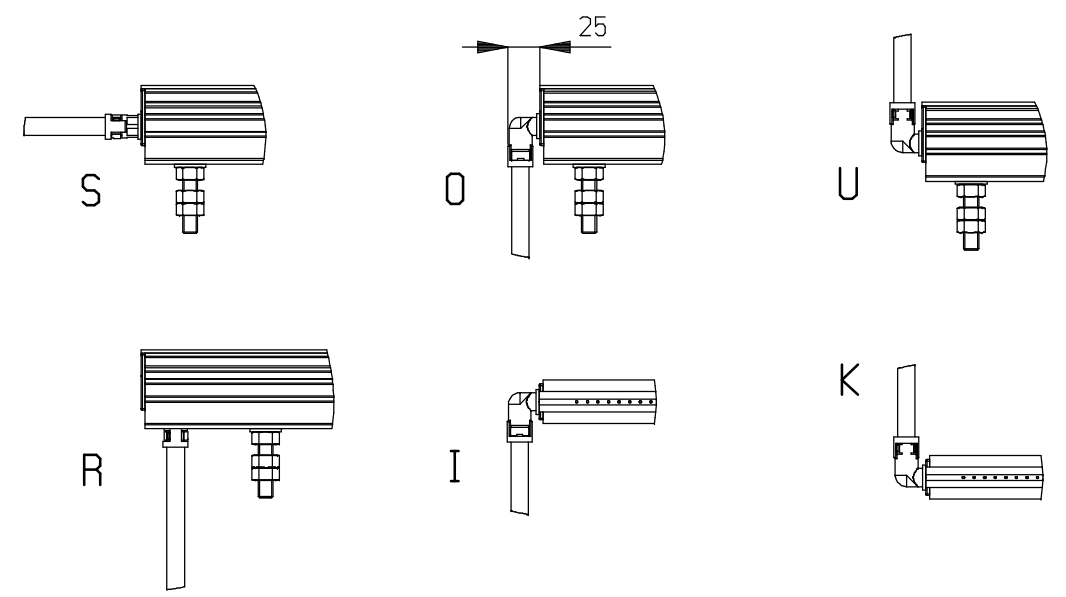


Table mounting bolts	
total length	QTY
0 - 0,5m	2
≥0,5 - 1,0m	3
≥1,0 - 1,5m	4
≥1,5 - 2,0m	5
≥2,0 - 2,5m	6
≥2,5 - 3,0m	7
≥3,0 - 3,5m	8
≥3,5 - 4,0m	9
≥4,0 - 4,5m	10

Cable exit options



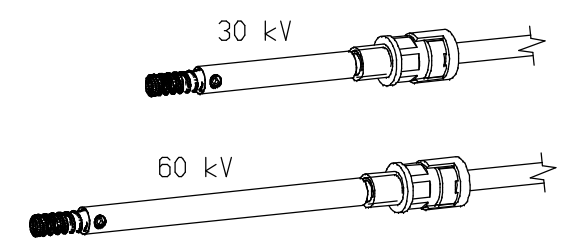
Mounting materials included



Cable clamps  
Amount of clamps = (cable length(m)x4)-1

Mounting bolts  
Amount of bolts see table

Supply voltage max. 60 kV DC



- Use the short insulation tube (57 mm) for 30 kV applications
- Use the long insulation tube (105 mm) for 60 kV applications