

PERFOMASTER PART NUMBERS

0930076100, HV control voltage 0-10 v

0930076101, HV control voltage 0-24 v

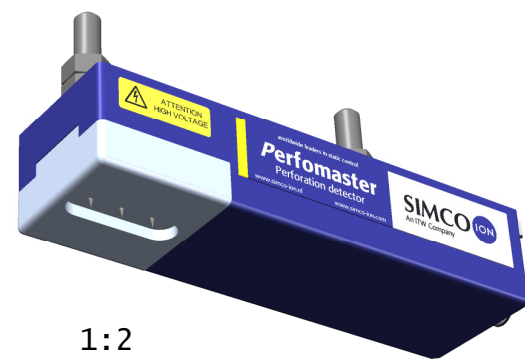
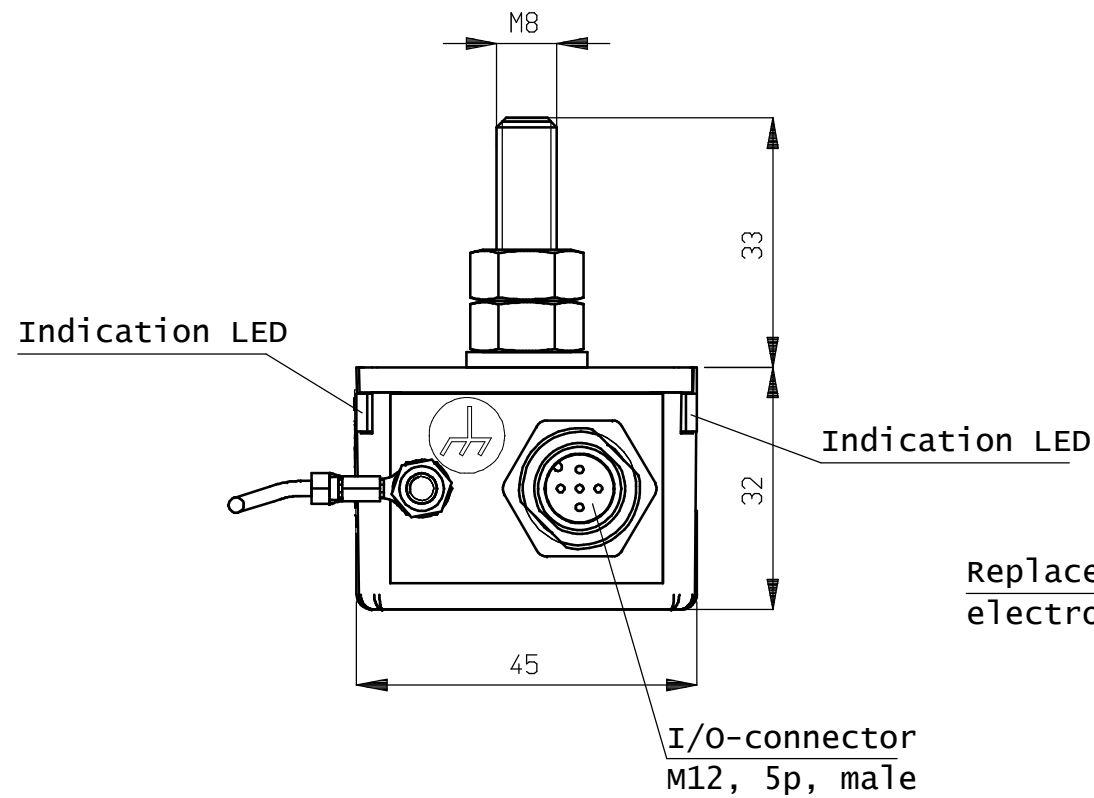
Included:

- 3 spare electrodes, part no. 3930000100 (3 pieces)

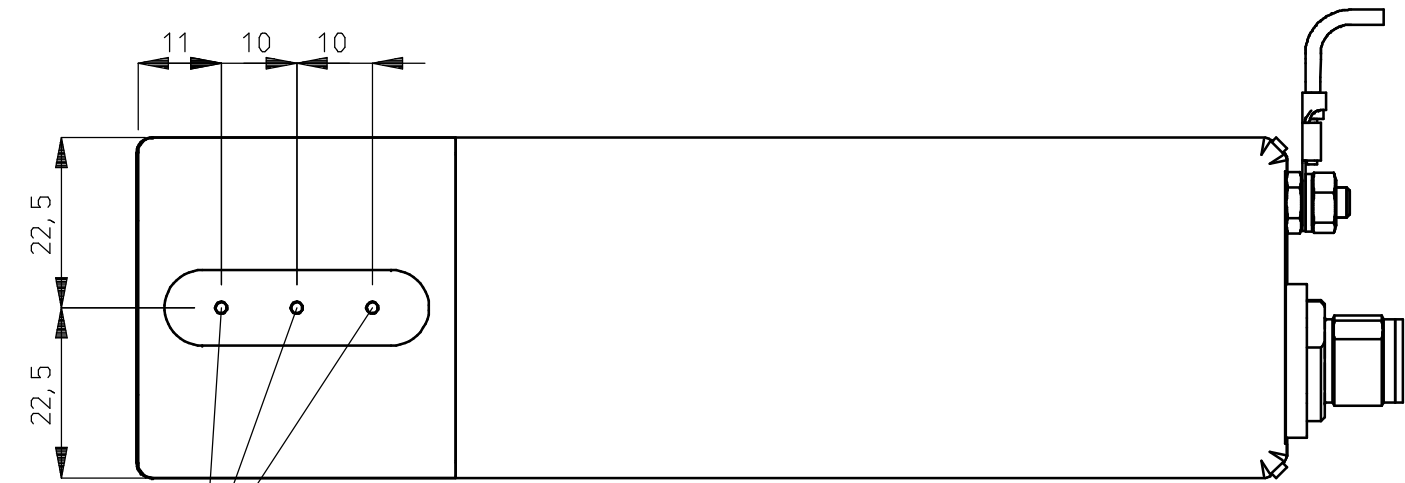
Optional connection cables with M12 connector:

- 5 m with angled connector, part no. 7519020375

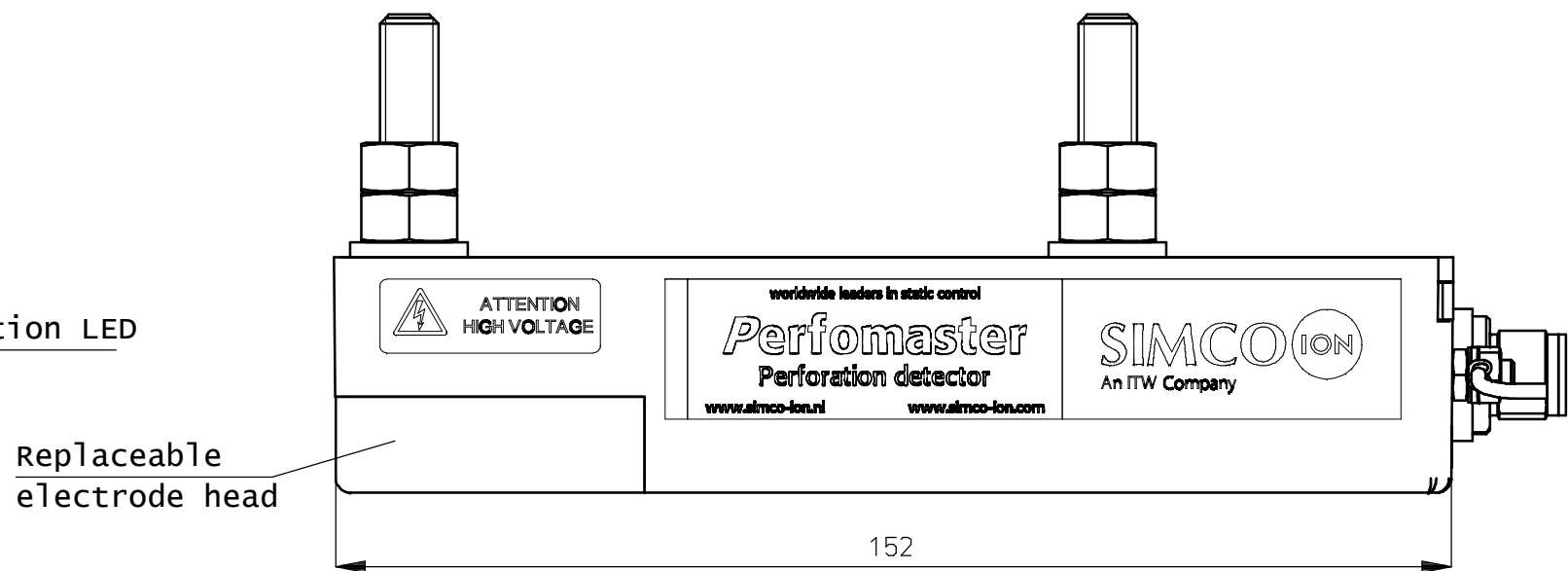
- 5 m with straight connector, part no. 7519020365



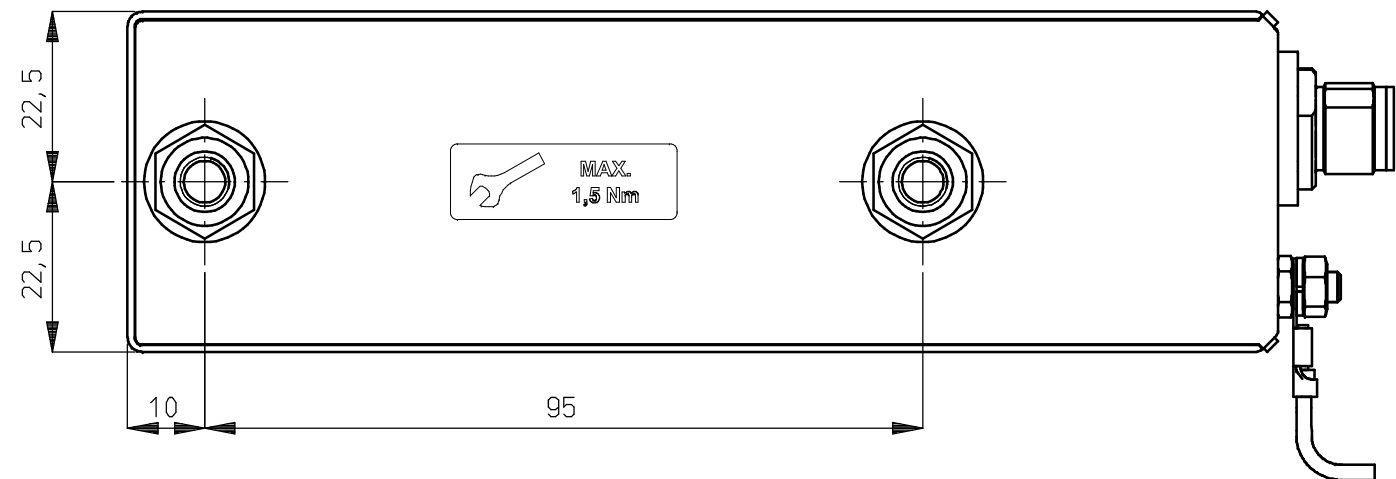
1:2



Replacable electrodes



Replaceable electrode head



| | | | | | | |
|---|---|---------------------|------------------|-----------|-------------|----------------------|
| An ITW Company www.simco-ion.nl Tel: +31 (0)573 288333 | Name: Perforation detector type Perfomaster | | | | Drawn: AB | Part no.: 09300761xx |
| | CAD generated NOT updated | Dimensions in mm | Date: 16-12-2010 | A3 M: 1:1 | ECN2019-007 | Check: - |