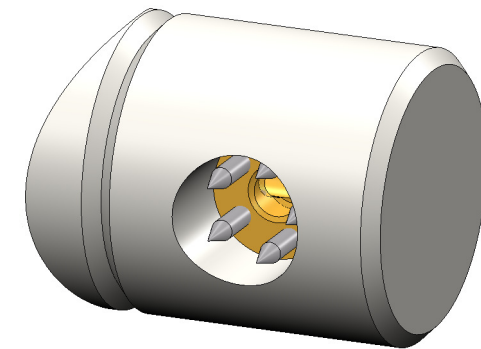
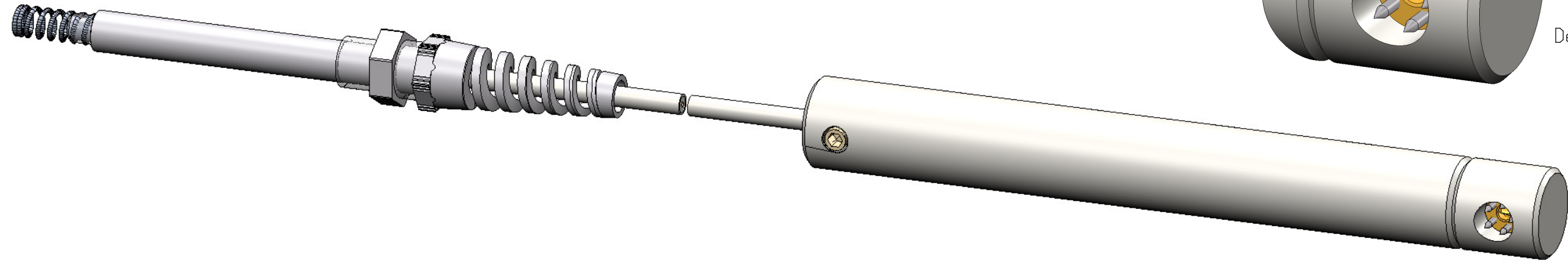
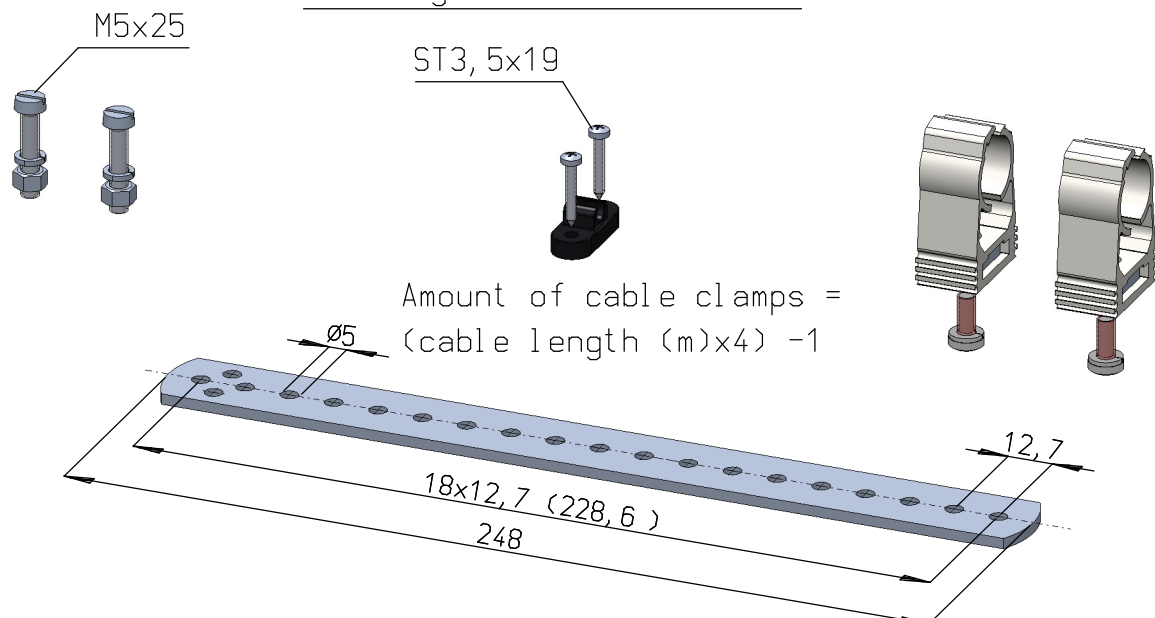


Length HV-cable 3 meters itemno. 0927093003
 Length HV-cable 6 meters itemno. 0927093006
 Length HV-cable 9 meters itemno. 0927093009



Detail HV-points
 Scale 2 : 1

Mounting materials included



Supply voltage max. 30 kV DC

 An ITW Company www.simco-ion.nl Tel: +31 (0)573 288333	Name: Charging electrode Pinner 5 Point RA					Drawn: AB	Part no.: 092709300x
	CAD generated NOT updated	Dimensions in mm	Date: 11-8-2010	A3	M: 1:1	ECN2012-031	Check: -