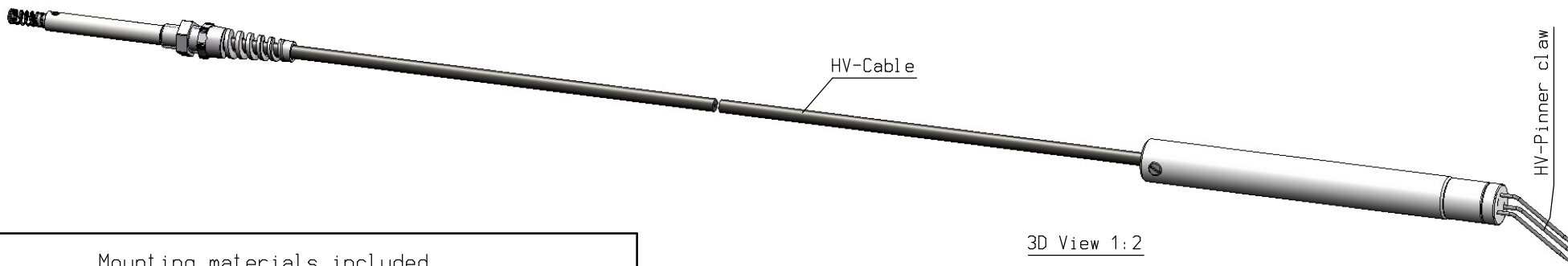
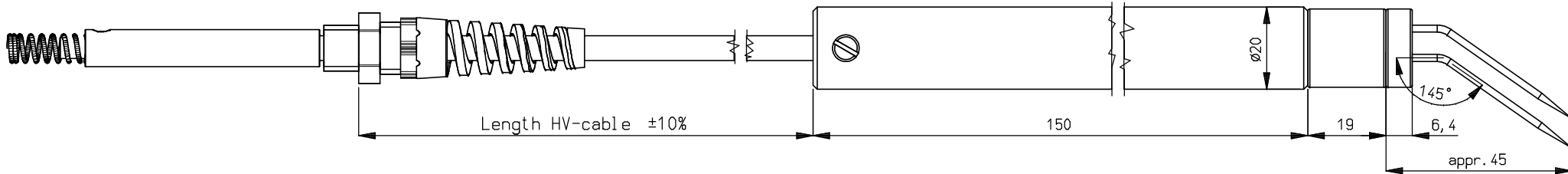
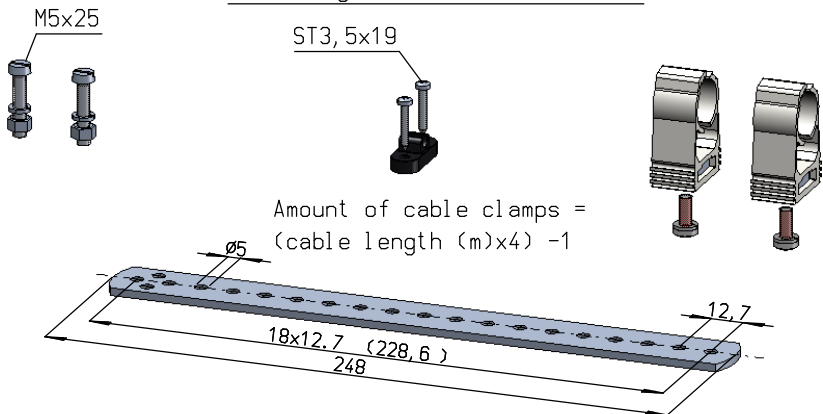


Length HV-cable 3 meters item no. 0927063003
 Length HV-cable 6 meters item no. 0927063006



Mounting materials included



Supply voltage max. 30 kV DC

SIMCO ION An ITW Company www.simco-ion.nl Tel: +31 (0)573 288333		Name: Charging electrode Pinner Claw			Drawn: MVN	Part no.: —
CAD generated NOT updated	Dimensions in mm	Date: 07-05-1999	A3 M: 1:1	ECN 2012-031	Check: -	Dwg. no.: 09270061/G