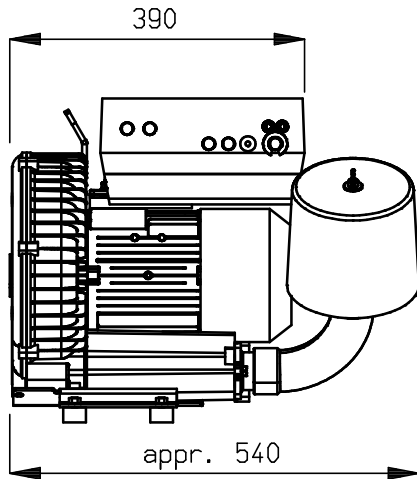
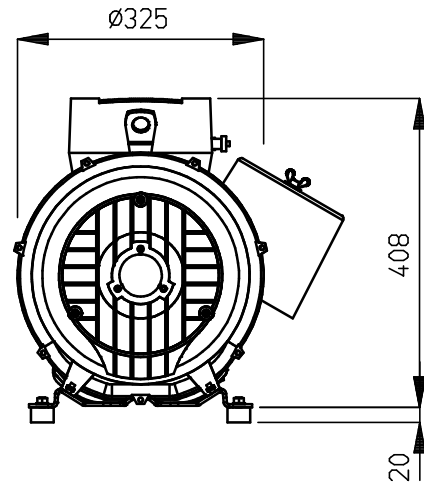


Parts list

No.	Qa.	Part No.	Description	Dwg. No.
1	1	6750290017	Blower 3,8kW, IE2, 400V, built on FC	
2	1	6750299102	Control-unit MMI handheld	
3	1	6799225215	Anti vibration feet	
4	1	6751990001	Threaded flange G2''	
5	1	6799143530	Suction filter	
6	1	6799143570	Filter element	



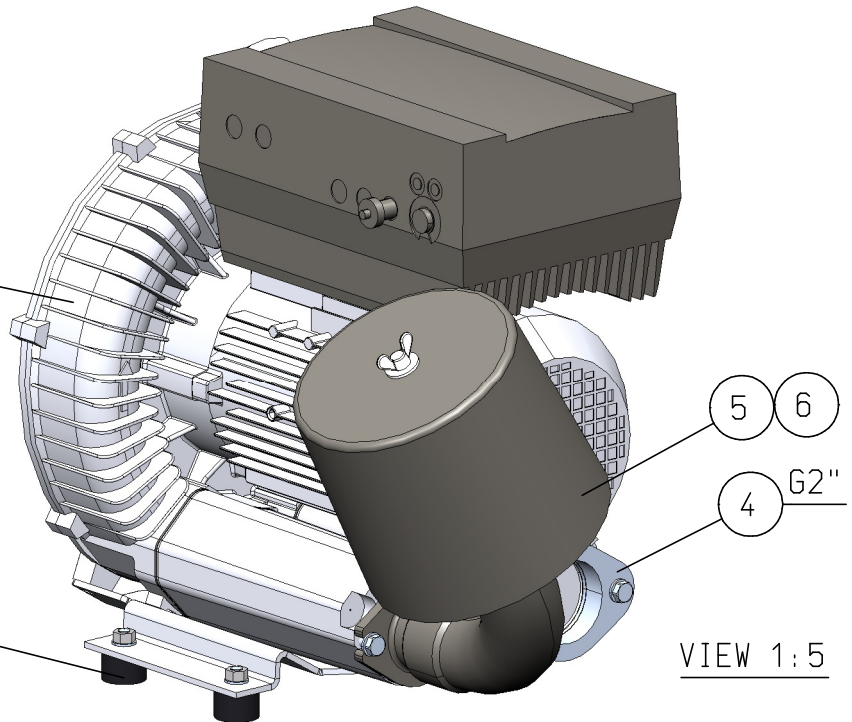
IEWS 1:10



2

1


3



VIEW 1:5

Sound pressure level:
 64 dB(A) at 50Hz
 70 dB(A) at 60Hz
 75 dB(A) at 86Hz
 measured at a distance
 of 1m, tolerance ± 3 dB(A)
 Weight: appr. 38 kg

Make sure to place the filter in such a way
 the filter hood can be removed,
 in order to remove/replace filter element

Roughness acc. to ISO 1302	Dimensions tolerated acc. to ISO 129	Tolerances of form and position acc. to ISO 1101	Dimensions in mm.	-	-	-	-	-	-			
 An ITW Company www.simco-ion.nl Tel: +31 (0)573 288333			(XX) Control dim. Copyright © SIMCO (Neder)and BV	Rev. Description					Chk. Date			
				Range [mm]	0,5 - 3	>3 - 6	>6 - 30	>30 - 120	>120 - 315	>315 - 1000	>1000 - 2000	>2000 - 4000
				middle	$\pm 0,1$	$\pm 0,1$	$\pm 0,2$	$\pm 0,3$	$\pm 0,5$	$\pm 0,8$	$\pm 1,2$	± 2
				rough	$\pm 0,15$	$\pm 0,2$	$\pm 0,5$	$\pm 0,8$	$\pm 1,2$	± 2	± 3	± 4
Name: Blower configuration 1500 + Suct.filter + Int. FC				Drawn: BSG		Part no.: 1484150110						
CAD GENERATED NOT AUTOMATICALLY UPDATED		Date: 28-5-2014	M: 1:5	A4	Check:	Dwg. no.: 14841501						