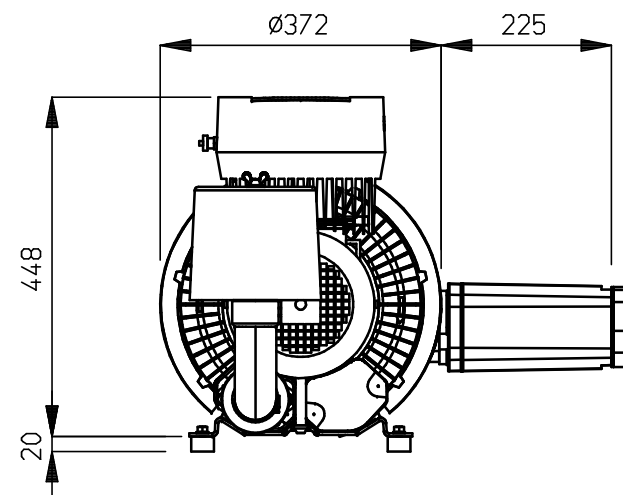
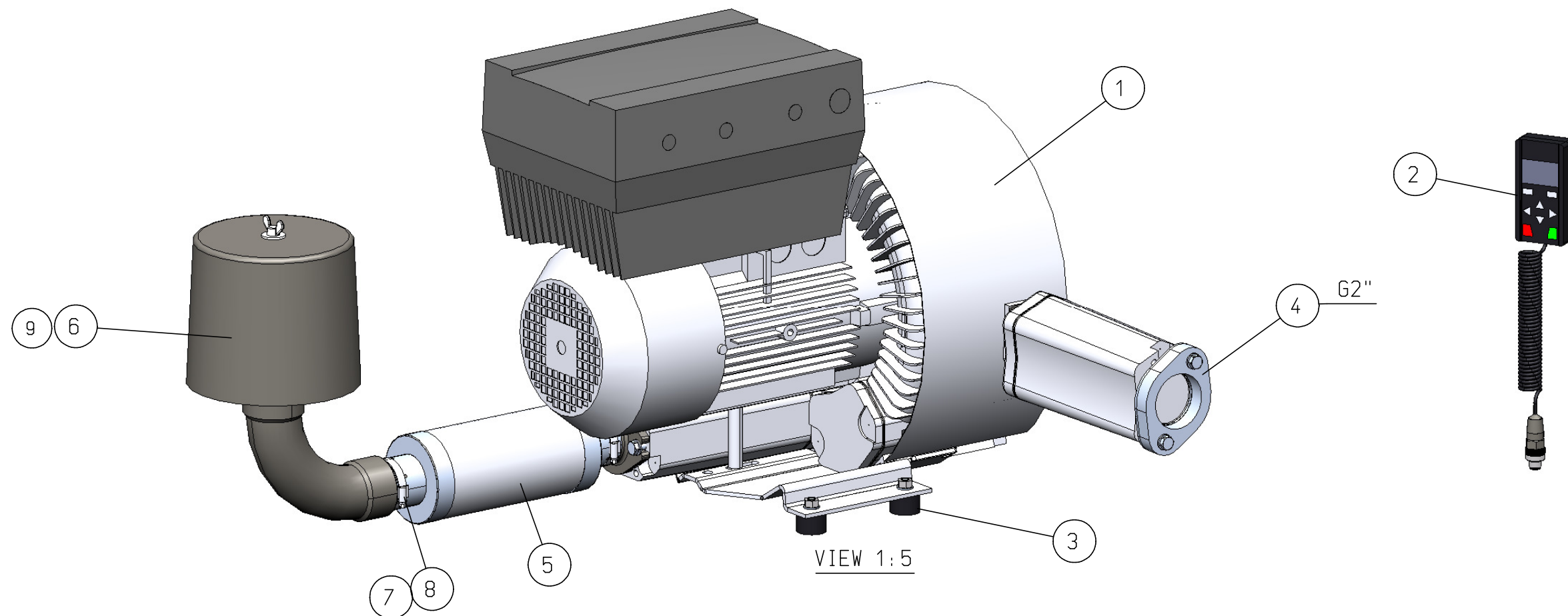
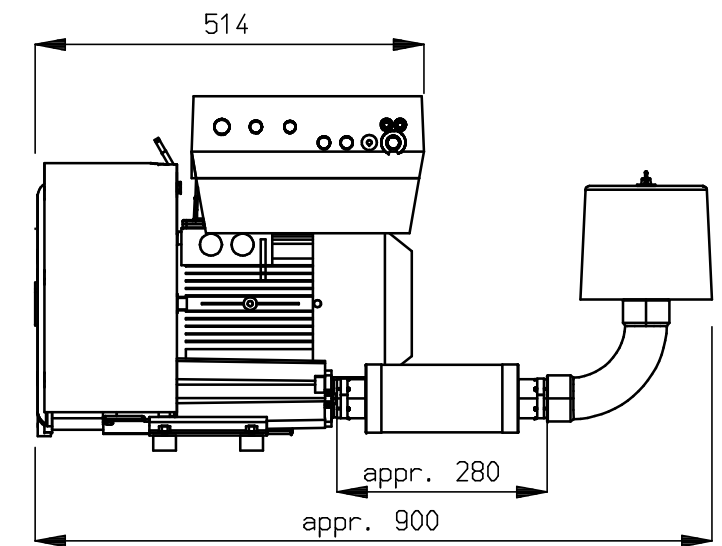


# Parts list

No.	Qa.	Part No.	Description	Dwg. No.
1	1	6750290051	Blower 6,9kW, IE2, 400V, built on FC	
2	1	6750299102	Control-unit MMI handheld	
3	1	6799225215	Anti vibration feet	
4	1	6751990001	Threaded flange G2''	
5	1	6799225213	Inline silencer	
6	1	6799143530	Suction filter	
7	70mm	9850412156	Tube PVC Ø50	
8	1	9146070160	Hose clamp Ø50-65	
9	1	6799143570	Filter element	



VIEWS 1:10



VIEW 1:5

NOTE: Sound pressure level 67 dB(A) at 50Hz  
 Sound pressure level 69 dB(A) at 60Hz  
 Sound pressure level 78 dB(A) at 86Hz  
 when using inlet silencer (5 dB(A))  
 measured at a distance of 1m, tolerance ± 3 dB(A)  
 Weight: appr. 60 kg

Roughness acc. to ISO 1302	Dimensions tolerated acc. to ISO 129	Tolerances of form and position acc. to ISO 1101	Dimensions in mm.	-	-	-	-	-	-				
<b>SIMCO ION</b> An ITW Company www.simco-ion.nl Tel: +31 (0)573 288333			(XX) Control dim. Copyright © SIMCO (Nederland) BV		Rev. Description				Chk.	Date			
					Range (mm)	0,5 - 3	>3 - 6	>6 - 30	>30 - 120	>120 - 315	>315 - 1000	>1000 - 2000	>2000 - 4000
					middle	±0,1	±0,1	±0,2	±0,3	±0,5	±0,8	±1,2	±2
					rough	±0,15	±0,2	±0,5	±0,8	±1,2	±2	±3	±4
Name: <b>Blower configuration 1510 +Suct.filter +Int.FC</b>					Drawn: BSG		Part no.: <b>1484151110</b>						
CAD GENERATED NOT AUTOMATICALLY UPDATED		Date: 2-6-2014	M: 1:5	A3	Check:		Dwg. no.: <b>14841511</b>						