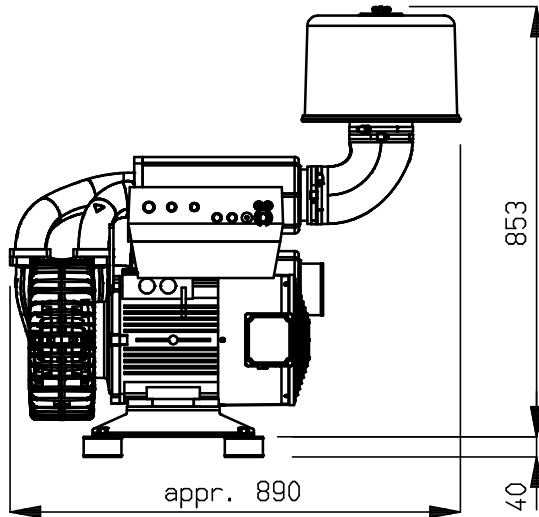
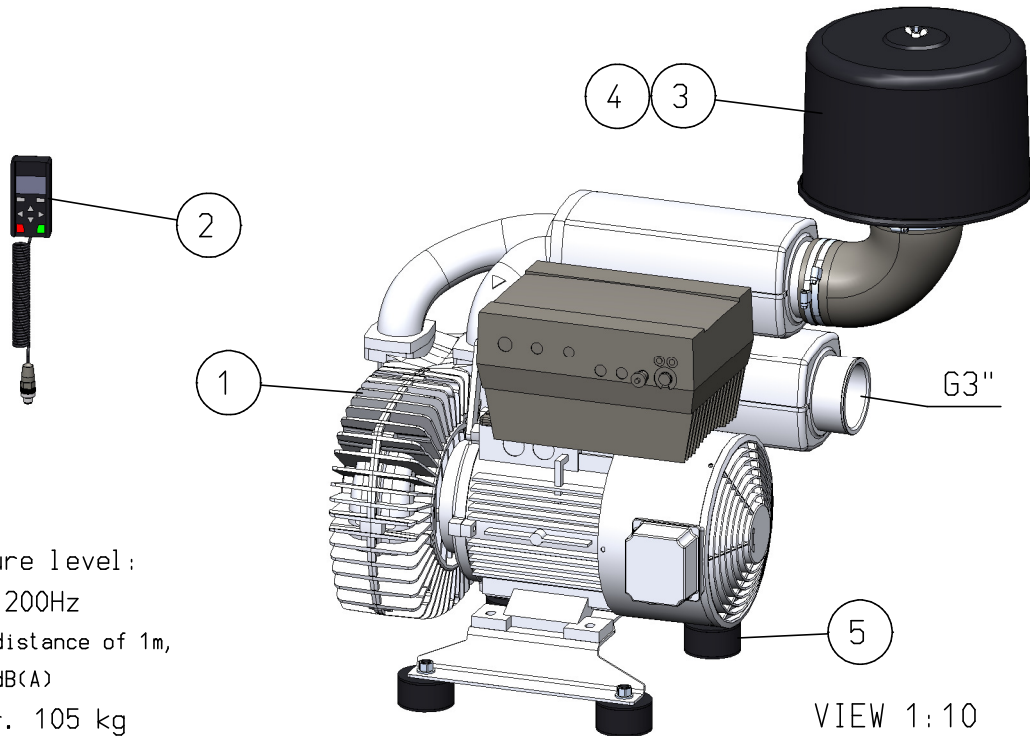
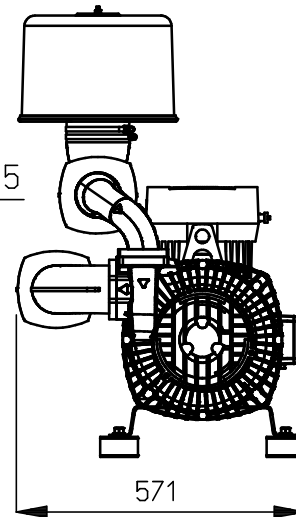


Parts list


No.	Qa.	Part No.	Description	Dwg. No.
1	1	6750290057	Blower 11,8kW, IE2, 400V, built on FC	
2	1	6750299102	Control-unit MMI handheld	
3	1	6799143480	Suction filter	
4	1	6799143535	Filter element	
5	1	6799225220	Anti vibration feet (set)	



VIEWS 1:15



Sound pressure level:
77 dB(A) at 200Hz
measured at a distance of 1m,
tolerance ± 3 dB(A)
Weight: appr. 105 kg

Roughness acc. to ISO 1302	Dimensions tolerated acc. to ISO 129	Tolerances of form and position acc. to ISO 1101	Dimensions in mm.	-	-	-	-	-	-			
 An ITW Company www.simco-ion.nl Tel: +31 (0)573 288333			(XX) Control dim. Copyright © SIMCO (Nederland) BV	Rev.	Description	Chk.				Date		
				Range [mm]	0,5 - 3	>3 - 6	>6 - 30	>30 - 120	>120 - 315	>315 - 1000	>1000 - 2000	>2000 - 4000
				middle	$\pm 0,1$	$\pm 0,1$	$\pm 0,2$	$\pm 0,3$	$\pm 0,5$	$\pm 0,8$	$\pm 1,2$	± 2
				rough	$\pm 0,15$	$\pm 0,2$	$\pm 0,5$	$\pm 0,8$	$\pm 1,2$	± 2	± 3	± 4
Name: Blower configuration 85200 +Suct.filter +Int.FC				Drawn: BSG	Part no.: 1484852120							
CAD GENERATED NOT AUTOMATICALLY UPDATED		Date: 5-6-2014	M: 1:10	A4	Check:	Dwg. no.: 14848521						