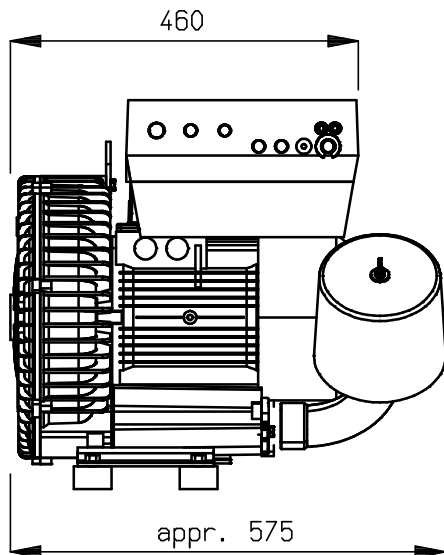
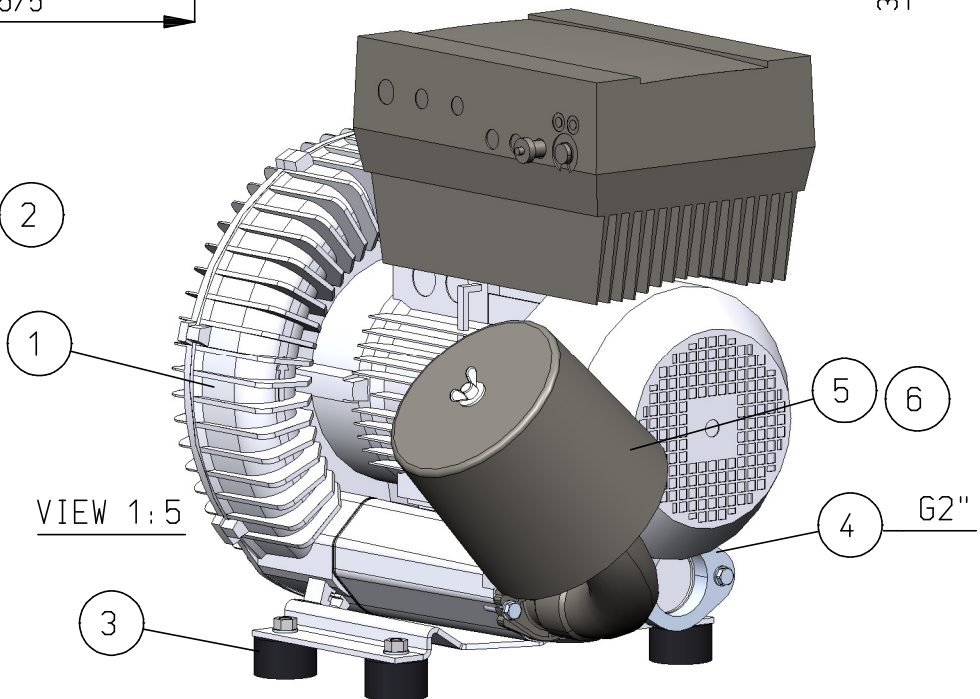
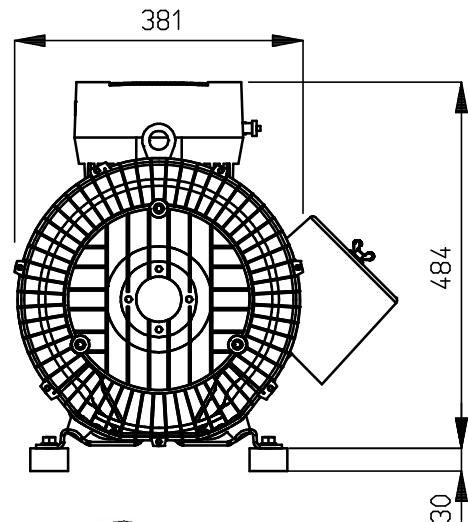


# Parts list

No.	Qa.	Part No.	Description	Dwg. No.
1	1	6750290008	Blower 6,9kW, IE2, 400V, built on FC	
2	1	6750299102	Control-unit MMI handheld	
3	1	6799225216	Anti vibration feet (set)	
4	1	6751990001	Threaded flange G2''	
5	1	6799143530	Suction filter	
6	1	6799143570	Filter element	





IEWS 1:10



Sound pressure level:  
 69 dB(A) at 50Hz  
 72 dB(A) at 60Hz  
 80 dB(A) at 86Hz  
 measured at a distance  
 of 1m, tolerance  $\pm 3$  dB(A)  
 Weight appr. 60 kg

Make sure to place the filter in such a way  
 the filter hood can be removed,  
 in order to remove/replace filter element

Roughness acc. to ISO 1302	Dimensions tolerated acc. to ISO 129	Tolerances of form and position acc. to ISO 1101	Dimensions in mm.	-	-	-	-	-				
 An ITW Company www.simco-ion.nl Tel: +31 (0)573 288333				(XX) Control dim. Copyright © SIMCO (Neder)and BV				Rev. Description		Chk. Date		
								Range [mm]	0,5 - 3	>3 - 6	>6 - 30	>30 - 120
				middle	$\pm 0,1$	$\pm 0,1$	$\pm 0,2$	$\pm 0,3$	$\pm 0,5$	$\pm 0,8$	$\pm 1,2$	$\pm 2$
				rough	$\pm 0,15$	$\pm 0,2$	$\pm 0,5$	$\pm 0,8$	$\pm 1,2$	$\pm 2$	$\pm 3$	$\pm 4$
Name: Blower configuration 1600 +Suct.filter +Int.FC						Drawn: BSG		Part no.: 1484160110				
CAD GENERATED NOT AUTOMATICALLY UPDATED		Date: 2-6-2014	M: 1:5	A4			Check:	Dwg. no.: 14841601				