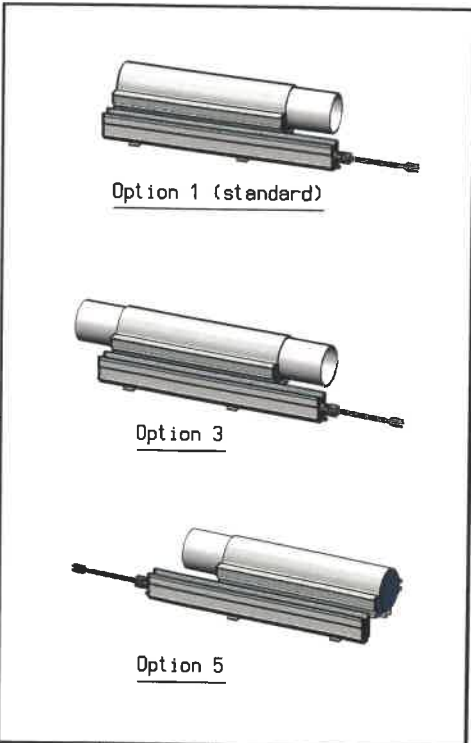


**Ex Certified Product**  
 No modifications permitted without the approval of the "authorised person"



Options accessories



Mounting hinge set  
 part no.: 4479900105



Pressure Sensor set 0 to 100kPa  
 Part no.: 4479900150

The sensor has to be mounted outside the Ex-zone

Required parts, separate to order



ATEX hose  
 part no: 9380531110  
 needed: same length as cable



ATEX fitting  
 part no: 9370521022  
 needed: 1 piece



ATEX hose clip  
 part no: 9250101013  
 needed: 4 pieces/m