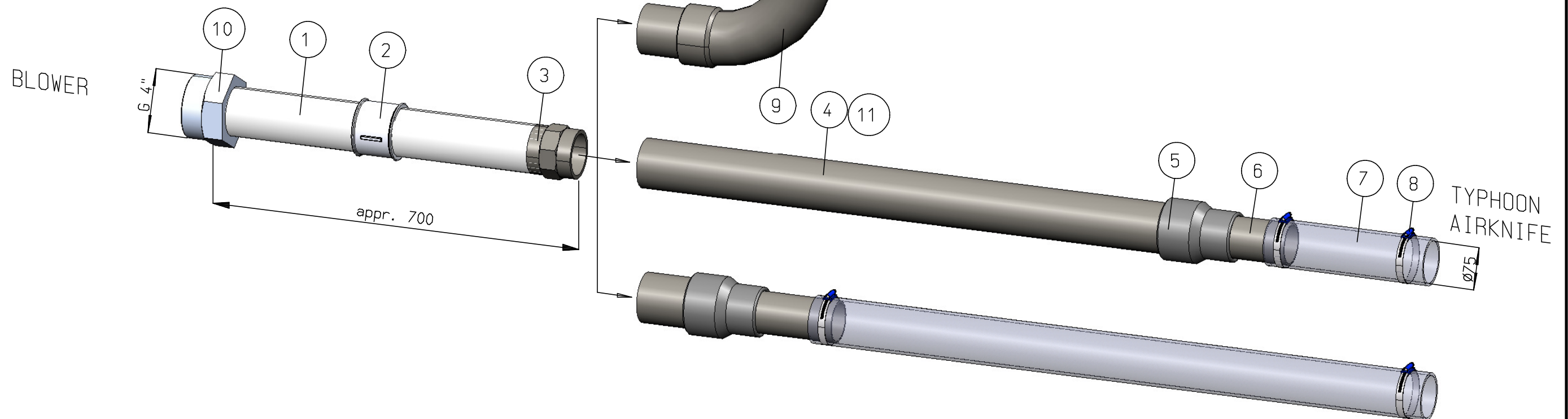


Parts list

No.	Qa.	Part No.	Description	Dwg. No.
1	2	9299143005	Pipe nipple 3''x300mm	
2	1	9290060155	Socket female 3''	-
3	1	9290641030	Adaptor Socket, PVC 90-3''	-
4	2,5 m	9850413861	PVC tube $\varnothing 90 \times 2,7$	
5	1	9290201518	Reducer $\varnothing 90 \times \varnothing 75$, PVC	
6	0,5 m	9850412227	PVC tube $\varnothing 75 \times 2,2$ mm	-
7	1,5 m	6703471075	Hose ID $\varnothing 75$	
8	3 (2)	9146075080	Hose clip $\varnothing 80$ (left)	
9	2	9299111090	Bend 90°, with sockets 90mm	-
10	1	9290010324	Reducing nipple 4'' x 3''	
11	1	9129900003	Glue (PVC) 125ml	-

3 (2) means 3 delivered, 2 drawn

The items, shown in the part list, provides the shown connection possibilities.



NOTE 1: Use the number of pipe nipple as delivered.
Air at blower side will heat up,
therefore first iron ducting required.

NOTE 2: Keep the ducting as short as possible.
Use minimal quantity of bend(s) and hose.
Every bend, joint, connector or system accessory
contributes a certain loss of pressure
(friction of moving air)

Roughness acc. to ISO 1302	Dimensions tolerated acc. to ISO 129	Tolerances of form and position acc. to ISO 1101	Dimensions in mm.	-	-	-	-	-	-				
SIMCO ION An ITW Company www.simco-ion.nl Tel: +31 (0)573 288333			(XX) Control dim. Copyright © SIMCO (Nederland) BV		Rev. Description				Chk.	Date			
					Range (mm)	0,5 - 3	>3 - 6	>6 - 30	>30 - 120	>120 - 315	>315 - 1000	>1000 - 2000	>2000 - 4000
					middle	±0,1	±0,1	±0,2	±0,3	±0,5	±0,8	±1,2	±2
rough	±0,15	±0,2	±0,5	±0,8	±1,2	±2	±3	±4					
Name: Ducting configuration 1-150-4", (appr. 4,5m)					Drawn: BSG		Part no.: 1485141030						
CAD GENERATED NOT AUTOMATICALLY UPDATED		Date: 28-2-2013	M: 1:10	A3	Check:		Dwg. no.: 14851430						