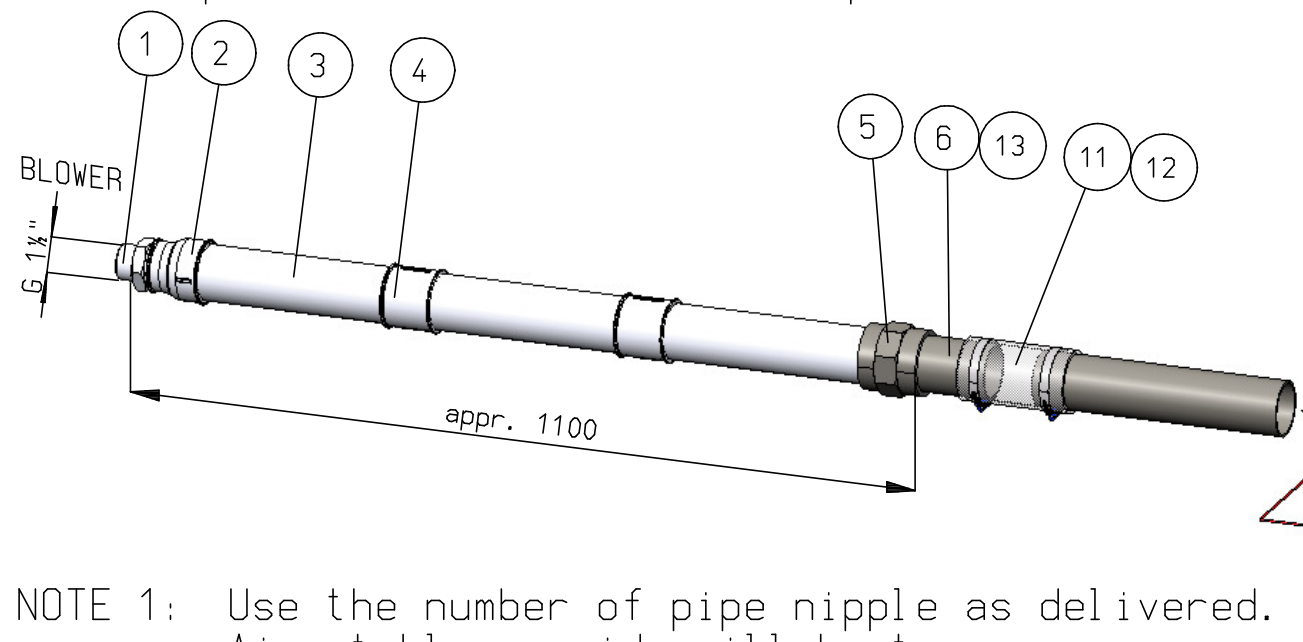


Parts list

No.	Qa.	Part No.	Description	Dwg. No.
1	1	9290020155	Reducing nipple 2''x 1½''	-
2	1	9299145016	Reducer female 2½''x 2''	-
3	3	9299142005	Pipe nipple 2½''x 300mm	-
4	2	9290060154	Socket female 2½''	-
5	1	9290641020	Adaptor Socket, PVC 75-2½''	-
6	5 m	9850412227	PVC tube ø75 x 2,2mm	-
7	4	9299111075	Bend 90°, with sockets 75mm	
8	1	9299102075	Bend 45°, ID 75mm (PVC)	
9	1	9299150075	T-piece 45°, ID 75mm (PVC)	
10	3 (2)	9299080075	Socket, ID 75	
11	1,5 m	6703471075	Hose ID ø75	
12	7 (6)	9146075080	hose clip ø80 (left)	
13	1	9129900006	Glue (PVC) ½L	

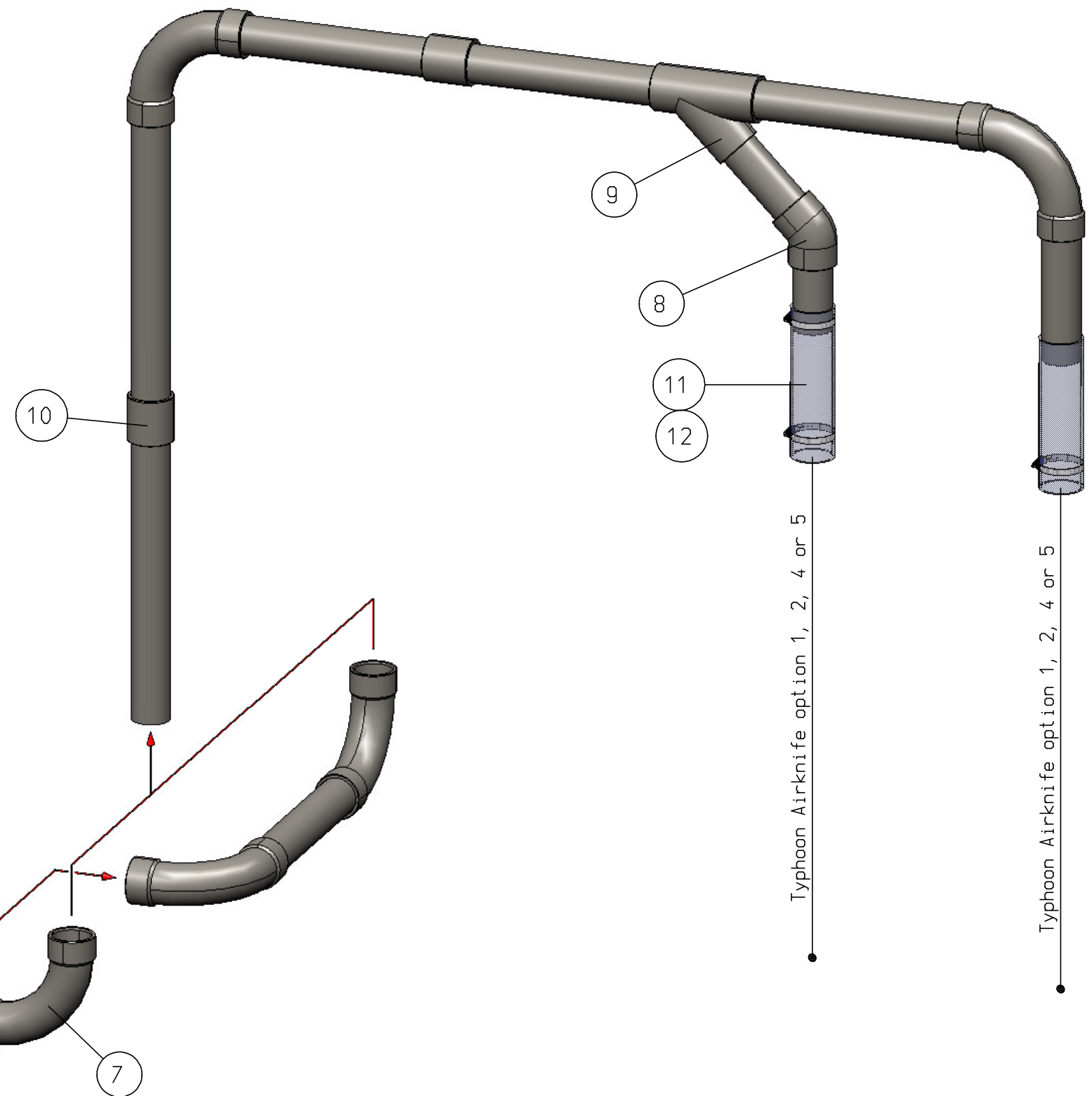
3 (2) means 3 delivered, 2 drawn

The items, shown in the part list, provides the shown connection possibilities



NOTE 1: Use the number of pipe nipple as delivered. Air at blower side will heat up, therefore first iron ducting required.

NOTE 2 : Keep the ducting as short as possible. Use minimal quantity of bend(s) and hose. Every bend, joint, connector or system accessory contributes a certain loss of pressure (friction of moving air)



Roughness acc. to ISO 1302	Dimensions tolerated acc. to ISO 129	Tolerances of form and position acc. to ISO 1101	Dimensions in mm.	-	-	-	-	-	-				
SIMCO ION An ITW Company www.simco-ion.nl Tel: +31 (0)573 288333			(XX) Control dim. Copyright © SIMCO (Nederland) BV		Rev. Description				Chk.	Date			
					Range (mm)	0,5 - 3	>3 - 6	>6 - 30	>30 - 120	>120 - 315	>315 - 1000	>1000 - 2000	>2000 - 4000
					middle	±0,1	±0,1	±0,2	±0,3	±0,5	±0,8	±1,2	±2
rough	±0,15	±0,2	±0,5	±0,8	±1,2	±2	±3	±4					
Name: Ducting configuration 4-300-1½" (appr. 8m)					Drawn: BSG		Part no.: 1485471000						
CAD GENERATED NOT AUTOMATICALLY UPDATED		Date: 12-3-2013	M: 1:10	A3	Check:		Dwg. no.: 14854700						