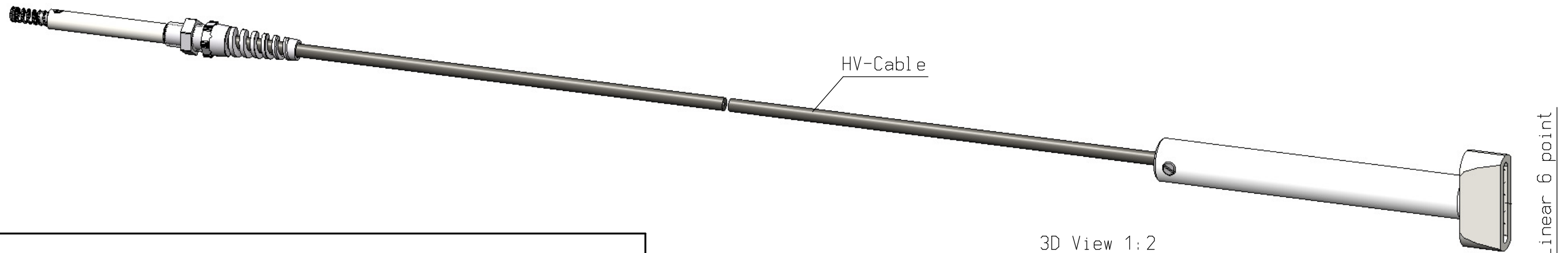
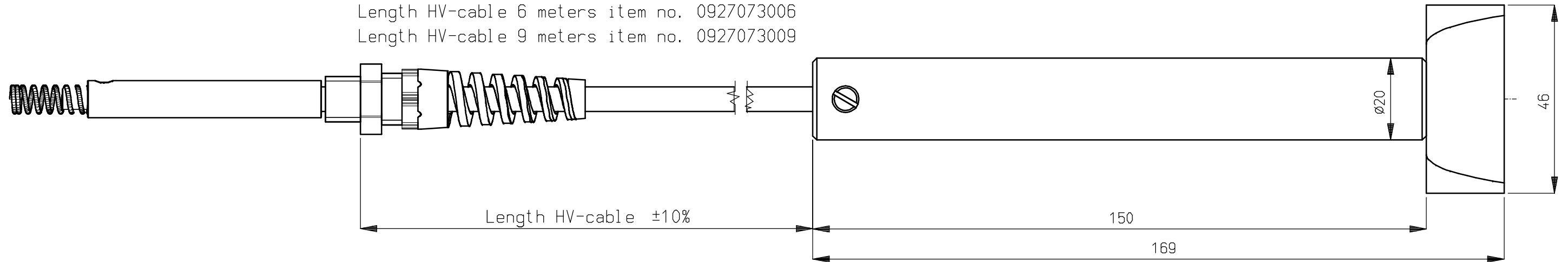


Length HV-cable 3 meters item no. 0927073003
 Length HV-cable 6 meters item no. 0927073006
 Length HV-cable 9 meters item no. 0927073009

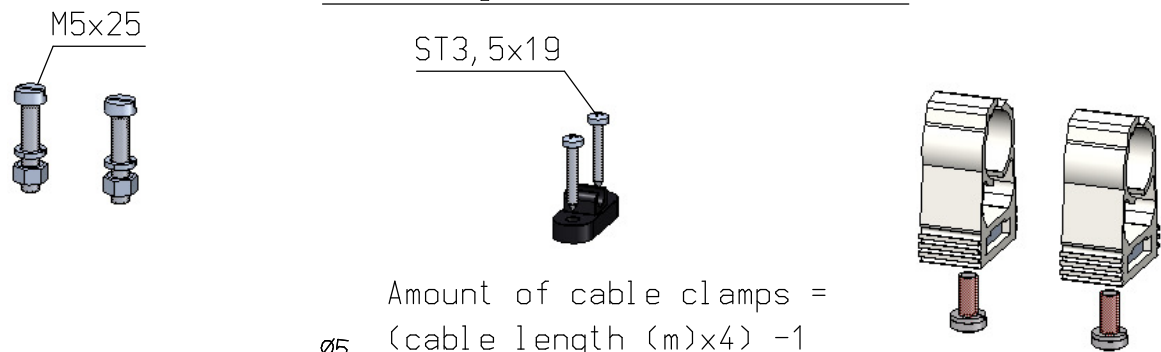


3D View 1:2

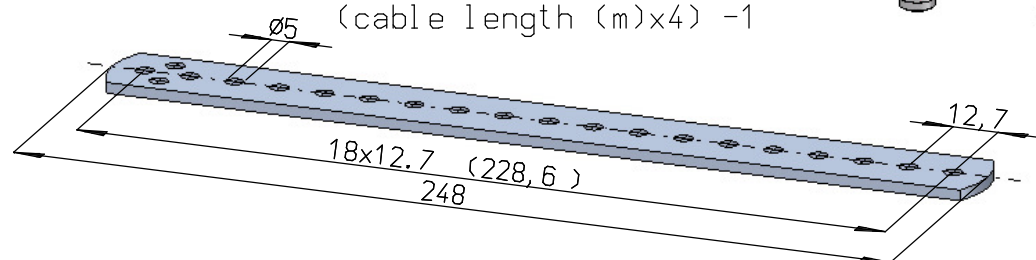
Linear 6 point

Detail head

Mounting materials included



Amount of cable clamps =
 (cable length (m) x 4) - 1



Supply voltage max. 30 kV DC

SIMCO ION An ITW Company www.simco-ion.nl Tel: +31 (0)573 288333	Name: Charging electrode Pinner Linear 6 point				Drawn: MVN	Part no.: -
	CAD generated NOT updated	Dimensions in mm	Date: 04-08-2003	A3 M: 1:1	ECN 2012-031	Check: -