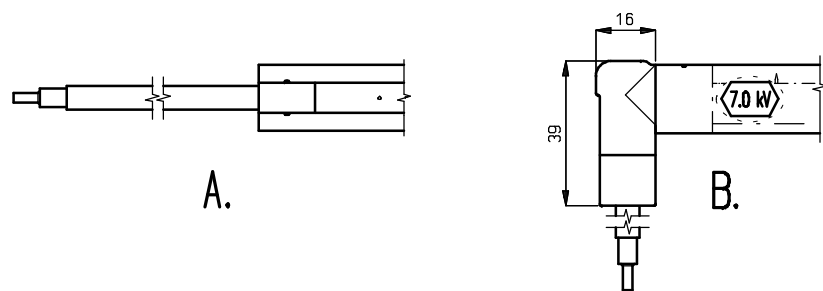
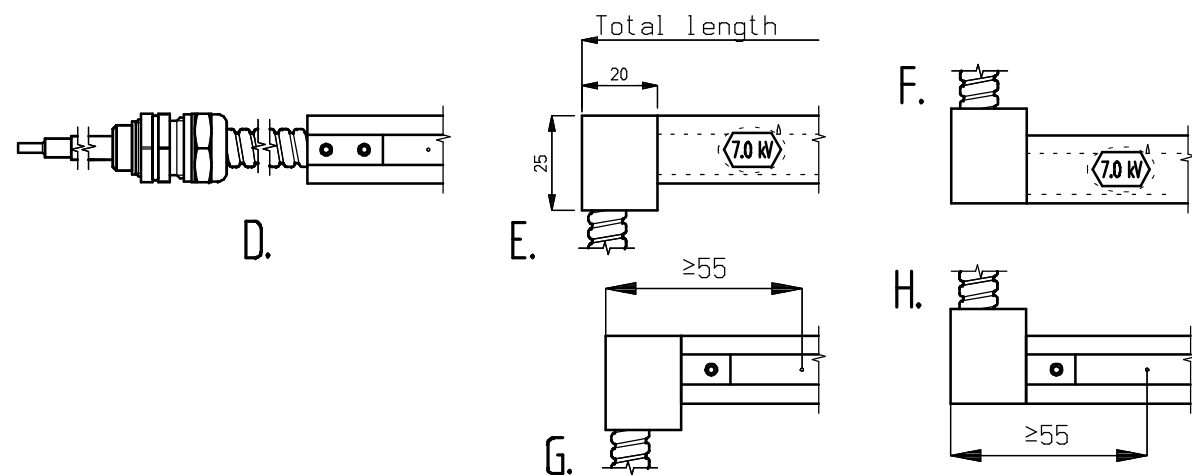


Cable exit options:

(With standard HV-cable)

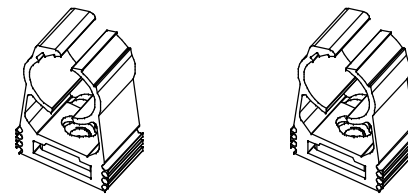


(With shielded HV-cable)



Mounting materials included

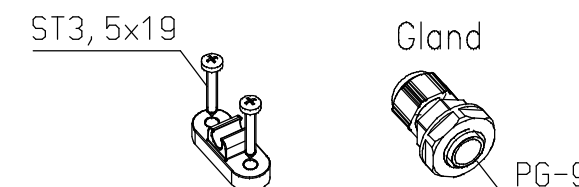
Cable exit D, E, F, G, H
Bar mounting clamps
(M6 screws, nuts and washers included)



Cable exit A, B
Metal bar mounting clamps for earthing
of the bar



Standard HV-cable



Amount of cable clamps =
(cable length(m) x 4) - 1

Shielded HV-cable



Amount of cable clamps =
(cable length(m) x 2) - 1

 An ITW Company www.simco-ion.nl Tel: +31 (0)573 288333	Name: Anti Static Bar type MEJ					Drawn: MVN	Part no.: -
	CAD generated NOT updated	Dimensions in mm	Date: 20-4-2011	A3	M: 1:1	ECN2016-003	Check: -